

Distributed by:



WESTLUND / EMCO

WATER SOLUTIONS



We Are Certified and Award Winning

SPECIALISTS SERVING SPECIALISTS



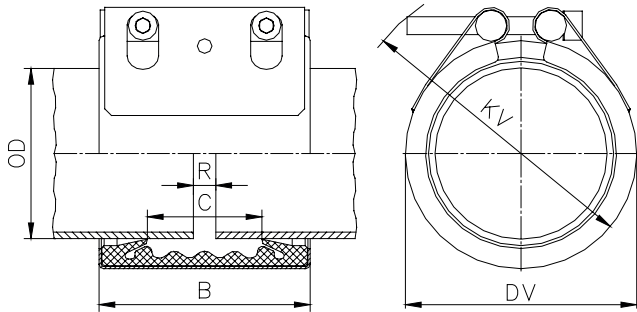
Westlund Water Solutions is the leading Canadian distributor of pipes, valves, fittings, and all related equipment found 'inside the fence' for wastewater treatment plants, reservoirs, and pumping stations.



Ontario Office: 905-624-4575
Alberta Office: 780-577-8808
WaterSolutions@WestlundPVF.com
www.everythinginsidethefence.com


STRAUB-FLEX 1L Ø 48.3 - 168.3 mm

Components / Materials	W1	W2	W4	W5
Casing		AISI 304 / 316 L		AISI 316 L / 316 TI
Bolts		AISI 4135		A4 - 80
Bars		AISI 12 L 14, galvanised		AISI 316 L
Strip insert (option)		AISI 316 L / PVDF		AISI 316 L / PVDF
Sealing sleeve EPDM	Temp.: -20°C up to +100°C Medium: all qualities of water, waste water, air, solids and chemical products			
Sealing sleeve NBR	Temp.: -20°C up to +80°C Medium: water, gas, oil, fuel and other hydrocarbons			
Sealing sleeve FPM / FKM ²	Temp.: -20°C up to +180°C Medium: ozone, oxygen, acids, gas, oil and fuel (only with strip insert)			



OD [mm]	Clamping range [mm]	PS [bar]	B [mm]	C [mm]	DV [mm]	KV [mm]	R without strip insert [mm]	R with strip insert [mm]	Torque rate [Nm]	Allen head [mm]	Thread M...
48.3 ²	47.0 - 49.5	25.0	75	35	70	85	5	15	7.5	6	8
54.0 ²	52.5 - 55.5	25.0	75	35	76	90	5	15	7.5	6	8
57.0 ²	55.5 - 58.5	25.0	75	35	79	95	5	15	7.5	6	8
60.3	59.0 - 61.5	25.0	75	35	82	95	5	15	7.5	6	8
73.0	71.5 - 74.5	25.0	94	51	95	117	5	25	7.5	6	8
76.1	74.5 - 77.5	25.0	94	51	98	122	5	25	7.5	6	8
84.0	82.5 - 85.5	24.0	94	51	106	127	5	25	7.5	6	8
88.9	87.5 - 90.5	24.0	94	51	111	132	5	25	7.5	6	8
100.6	99.0 - 102.5	23.0	94	51	123	147	5	25	7.5	6	8
101.6	100.0 - 103.5	23.0	94	51	124	147	5	25	7.5	6	8
104.0	102.5 - 105.5	22.0	94	51	126	147	5	25	7.5	6	8
104.8	103.0 - 106.5	22.0	94	51	127	147	5	25	7.5	6	8
108.0	106.5 - 109.5	22.0	94	51	130	152	5	25	7.5	6	8
114.3	112.5 - 116.0	21.0	94	51	136	157	5	25	7.5	6	8
127.0	125.0 - 129.0	19.0	107	62	149	165	5	35	10	8	10
129.0	127.0 - 131.0	18.0	107	62	151	165	5	35	10	8	10
130.2	128.5 - 132.0	18.0	107	62	152	165	5	35	10	8	10
133.0	131.0 - 135.0	16.0	107	62	155	170	5	35	10	8	10
139.7	138.0 - 141.5	16.0	107	62	162	175	5	35	10	8	10
141.3	139.5 - 143.0	16.0	107	62	163	180	5	35	10	8	10
154.0	152.0 - 156.0	16.0	107	62	176	190	5	35	10	8	10
159.0	157.0 - 161.0	16.0	107	62	181	195	5	35	10	8	10
168.3	166.0 - 170.5	16.0	107	62	190	205	5	35	10	8	10

Remarks:

- Follow fitting / disassembly instructions
- PS = Working pressure considering the application loads
Test pressure = PS x 1.5 (for example industry, water supply etc.)
Burst pressure = approx. PS x 2
- Strip inserts are required for special applications

² FPM / FKM only available in STRAUB-OPEN-FLEX version

For IPS sizes in bold see technical manual for actual OD